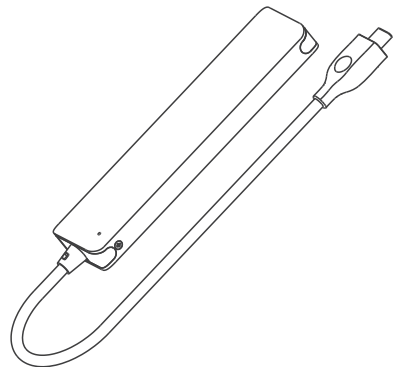



www.ineo-usa.com



MODEL: C2592

External M.2 NGFF/NVMe SSD Enclosure

USB 3.1 Gen 2 Type-C To M.2 NGFF/NVMe SSD

Getting Started

Thank you for purchasing ineo C2592 External M.2 NGFF/NVMe SSD Enclosure. This quick install guide provides step-by-step installation instructions and other important information regarding your ineo product. For the latest ineo product information and news, please visit our website at <http://www.ineo-usa.com>

Package Contents

C2592	C2592-NGFF	C2592-NVME
Connector	TYPE-C	TYPE-C
Silicone Thermal Pad	No	Yes
Heat Sink	No	Yes
Screw Kit	Screw Driver x 1, Screws x 4	
Guarantee Card	Yes	
User Manual	Yes	

System Requirements

Hardware

Pentium® II, 200 MHz equivalent or newer for IBM compatible PC
PowerPC G4, 350 MHz or newer for PowerPC-based Apple Computer
Core® or newer for Intel-based Apple Computer

Software

Windows 2000/Mac9.1/Linux for USB2.0
Windows XP / VISTA / 7 / 8 / 8.1 / 10 & Mac OS X v.10.2+ for USB3.0
Windows 8.1 / 10 & macOS 10.12+ For USB 3.1 Gen 2

Note: For highest performance and reliability, ineo recommends that you install the latest service pack (SP) and updates.

■ Updating Your Operating System

Windows

Go to the Start menu and select Windows updates. For more information regarding updating your system, visit <http://windowsupdate.microsoft.com>.

Macintosh

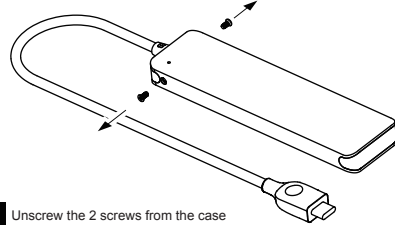
Go to the Apple menu and select Software Update. For more information regarding updating your system, visit <http://www.apple.com/macosx>.

■ Handling Precautions

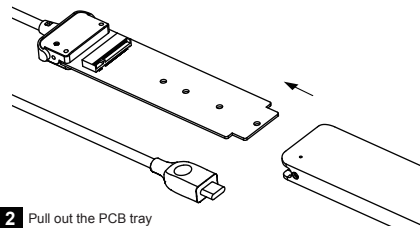
Ineo products are precision instruments and must be handled with care during unpacking and installation. Drives may be damaged by rough handling, shock, or vibration. Be aware of the following precautions when unpacking your ineo external storage kit:

- ▶ Do not unpack the product until you are ready to install it.
- ▶ Do not drop or jolt the product.
- ▶ Do not move the external storage when it is powered up.

Hard Disk Drive Installation



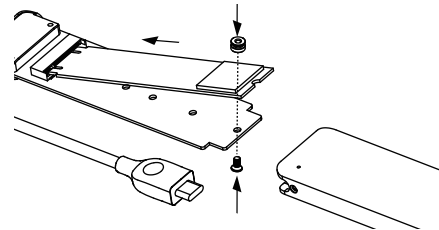
- 1** Unscrew the 2 screws from the case



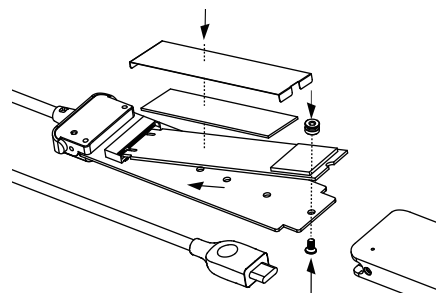
- 2** Pull out the PCB tray

- 3** Install the M.2 SSD

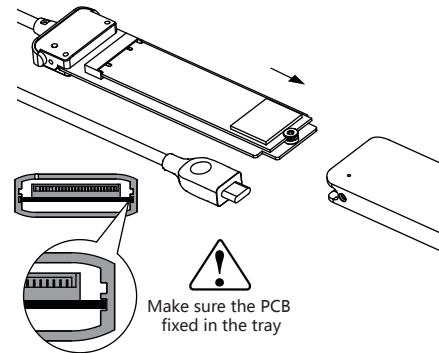
NGFF Install the M.2 SSD on the PCB tray, and lock with the screw



NVME Place the thermal pad on the SSD, then put the heat sink on top, and insert the SSD and fix with screw



- 4** Push back the PCB tray and lock with the screws



All Rights Reserved by Ineo

Address: 137 S. 8th Ave. Suite J La Puente, CA 91746
Phone number: 626-342-6714